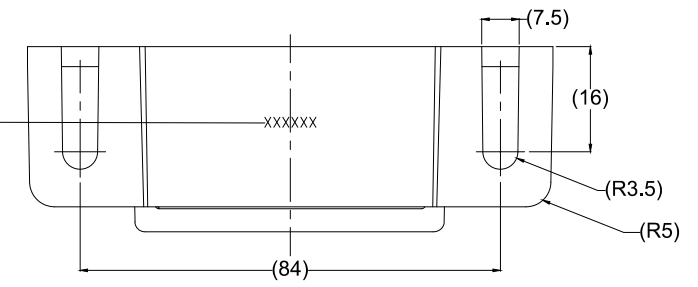
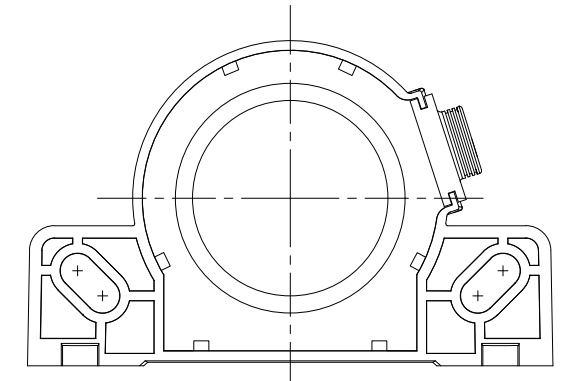
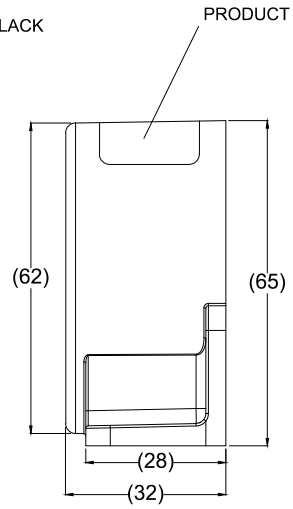
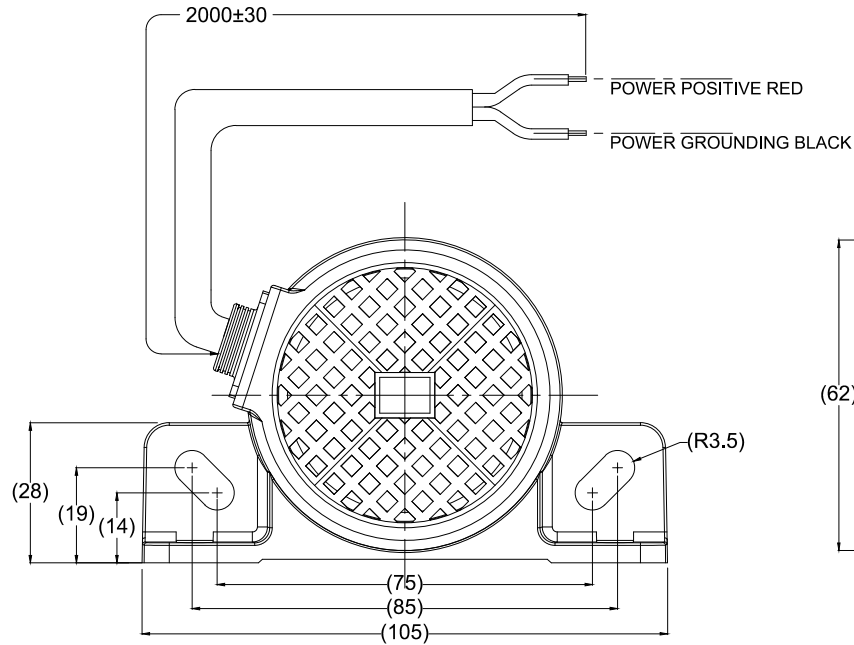


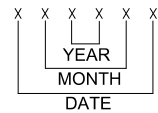
Revision Notes:				
R1 -				
APA:	Drawn:	Checked:	Approved:	Date:



**SPECIFICATION:**

1. RATED VOLTAGE: 12/24 VOLTS DIRECT CURRENT (WORKING VOLTAGE RANGE 9-32 VOLTS.)
2. CONSUMPTION CURRENT: 0.3 AMPERES OR LESS.
3. SOUND PRESSURE: 87±4 DECIBELS AT TEST VOLTAGE OF 14/28 (AS MEASURED AT DISTANCE OF 1.2M AND AT A HEIGHT OF 1.2M ABOVE THE GROUND.)
4. FREQUENCY: 1600±200Hz AT TEST VOLTAGE OF 14/28 VOLTS.
5. INTERMITTENCE: 80±15 CYCLES PER MINUTE AT TEST VOLTAGE OF 14/28 VOLTS.
6. DURABILITY: TO BE FREE OF ABNORMALITY AFTER BEING TESTED FOR 500 HOURS CONTINUOUSLY AT TEST VOLTAGE OF 32 VOLTS.
7. RANGE OF OPERATING TEMPERATURE GUARANTEED: -40°C ~ +85°C
8. ENVIRONMENTAL: SUBJECT TO SAE J994.

PRODUCTION LOT NO. xxxxxx



- NOTES**
1. "R TRIANGLE" INDICATES CHANGES MADE TO REVISION AS IDENTIFIED IN NOTES.
  2. FOR PACKAGING & LABELLING DETAIL REFER TO THE LATEST REVISION OF THE MASTER BOM AND DRAWINGS.

**PROPRIETARY NOTICE**  
 THIS DESIGN AND TECHNICAL INFORMATION APPEARING ON THIS DRAWING IS THE PROPERTY OF BRIGADE ELECTRONICS, AND IS DISCLOSED IN CONFIDENCE. IT IS NOT TO BE COPIED, REPRODUCED, REVEALED TO OR EXPROPRIATED BY OTHERS, EITHER IN WHOLE OR IN PART WITHOUT THE EXPRESS WRITTEN CONSENT OF BRIGADE ELECTRONICS.



Assembly Pl Approval W. FUKUZAWA	Approved by A. KEBEDE	Checked by E. MATHEW	Drawn by J. YU
Angle of Projection 	Units mm	Scale N/A	Released 11/03/2025
Status RELEASED	Assembly Ref BA-530TCA-2		
Part No 274.1A	BE-005023-00-25		